

User's Manual

ITEM : GSM PHONE BLOCKER (TUNACUT)

MODEL : WCUT-T Series



Wireless Tsukamoto Co., Ltd.

1-16-21, Isoyama Suzuka-shi,

Mie-Prefecture, Japan

Tel: +81-593-87-8000 Fax: +81-593-87-6999

<http://www.wtw.jp>

1. INTRODUCTION

WCUT-T Series is a cellular phone blocking system which regulators cellular communication in the defined area. It blocks signal from the base station by transmitting jamming signal on your cellular network, thus disables cellular phones. WCUT-T Series can be installed and operated very easily for the area such as church, library, school, meeting room, theater, hospital and gas station etc.

2. FEATURES

- Easy installation and operation (Plug' N Play)
- No interference for other home or medical appliances
- Coverage adjustable by output power control
- Coverage - radius 30m max (depending on power from the BTS)

3. APPLICATIONS

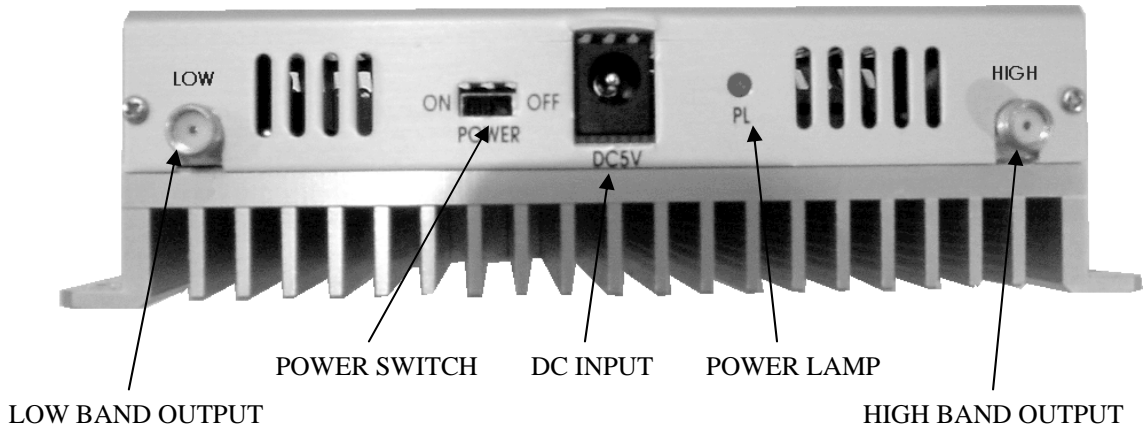
- Security purpose
Bank, Prison, Police office, Government facilities, Military bases
- Safety purpose
Hospital, Gas station, Laboratory
- Anti-noise purpose
Church, Temple, Theater, Concert hall, Classroom, Library, Conference room

4. SPECIFICATIONS

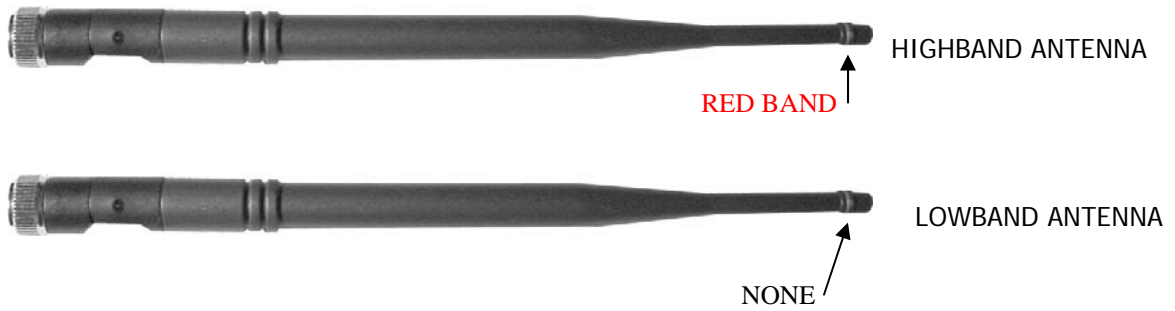
Frequency band :	WCUT-0918T	900MHz/1800MHz	Europe, Asia
	WCUT-0819T	800MHz/1900MHz	North America
	WCUT-0809T	800MHz/900MHz	
	WCUT-0919T	900MHz/1900MHz	
Network application	: CDMA/GSM (TDMA)/PCS/DAMPS/AMPS/DECT		
RF Power	: 1mW ~ 1W Adjustable		
Antenna connector	: SMA female		
Operation temperature	: -20℃ ~ 60℃		
Dimension	: 134(W) x 84(D) x 32(H) mm		
Weight	: 750g (System + AC Adapter + Antenna)		

5. INSTALLATION

BLOCKING SYSTEM



ANTENNA



AC ADAPTER



AC100V ~ 240V/50 OR 60Hz DC5V 3A

GSM PHONE BLOCKER WCUT-T Series

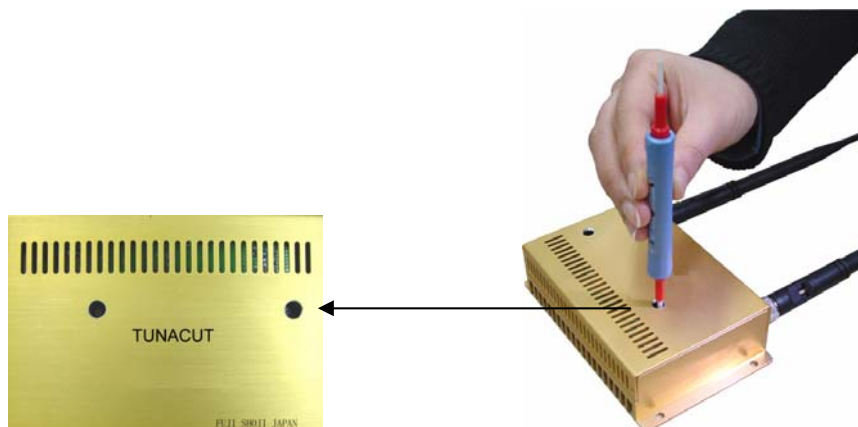


- 1) Chose a place that you want to install it.
- 2) It is recommended to install on the wall or ceiling where is well ventilated.
- 3) Connect antennas on the system.

[note: Two antennas are included; one is with red ring and the other is without it. Connect the antenna without a ring to low band connector and the red ring antenna to high band connector as above picture. Also, make sure you connect antennas first before you turn on the switch. If you turn on the switch before you connect antennas, it will cause fatal damage on the system]

- 4) Connect AC Adapter to the system and plug it into the AC socket.
- 5) Turn on the switch

6. OUTPUT POWER ADJUST (OPTIONAL)



- 1) The system is set to the maximum output power (1W) when shipped from the factory
- 2) Take out rubber rids on the cover of the system
- 3) Right hole is for high band and left hole is for low band
- 4) Turn the output power controller to clockwise direction with cross screw driver
- 5) Turn it little by little until you get the desired coverage. You can check it with handset.
- 6) After you set it, please make sure you put rubber rids on the hole back.

7. TROUBLE SHOOTING

- 1) When LED lamp is not turned on after connecting AC Adaptor and turning on the switch;
 - a. Check DC Jack is connected correctly
 - b. Check AC Adaptor is connected to a socket correctly
- 2) When you don't get enough coverage
 - a. Check if high band antenna and low band antenna are switched (a antenna without a ring : low band, red ring antenna: high band)
 - b. Check if there is a BTS around you. If there is, you will have to use more than one system to have enough coverage since the output power of blocking system can not surpass the output power of BTS.
- 3) When system doesn't work even LED is on.
 - a. Check if high band antenna and low band antenna are switched (a antenna without a ring : low band, red ring antenna: high band)
 - b. Ask for technical help from where you purchased

DISCLAIMER

THE PURCHASER ASSUMES ALL LIABILITY ASSOCIATED WITH THE OPERATION OF WCUT-T SERIES CELLULAR PHONE BLOCKING SYSTEM. WIRELESS TSUKAMOTO, CO., LTD. AND ITS DISTRIBUTORS, HEREBY RELINQUISH ALL RISK AND LIABILITY WITH THE USE OF WCUT-T SEIRES TO THE USER OF THE PRODUCT.